



MINSUN

THE  OF MINDONG POWER



閩東聖源機電有限公司

MINDONG SHENGYUAN ELECTROMECHANICAL CO.,LTD.

地址：福建省福安市南郊民营工业区15号

ADD: NO.15 Nanjiao Industry Zone, Fuan City, Fujian Province, China.

Tel:+86-593-6518889 Fax:+86-593-6580911

Http://www.minsun-motor.com E-mail:minsun@minsun-motor.com



MINDONG SY POWER



ISO9001 CE CCC TUV GS

ALTERNATOR & GENSET

MINDONG SHENGYUAN ELECTROMECHANICAL

閩東聖源機電





Brief

INTRODUCTION OF MINDONG SHENGYUAN ELECTROMECHANICAL



Mindong ShengYuan Electromechanical Co.,Ltd, also called MINDONG SY POWER, is located in famous Mindong Power City, Fu'an, Fujian with many years experience.

We are one of the best generator manufacturers with good reputation in China .Our main products, brushless Stamford Style Alternator ,SY-A Series and ST,STC,TZH Series Carbon Brush Alternator ,and gensets are well-known in China.

We especially build a workshop assembling & testing generator sets,with world famous engine brands, PERKINS, CUMMINS, DEUTZ, DOOSAN, KUBOTA, MTU, ISUZU. And famous Chinese brands, YUCHAI, WEICHAI, SHANGCHAI, LOVOL, YANGDONG, KOFO RICARDO with advanced testing machines.

Our engineers are all from old Mindong Motor Factory. Our brand MINSUN is also famous in the world now. We managed in strict accordance with the requirements of ISO9001-2008 international quality management system ,and we have passed the test having CE certification, and we are keeping striving to improve the products. We have a strong professional technical team, special technical requirements in accordance with the customer's own design and production.

We always pay attention to our product quality and after-sales service, so we are getting more and more clients. We will keep on providing our best solution of the electric power for our clients.

GENERATOR & ALTERNATOR

CONTENT

MINDONG SY POWER

 / Page 02-04
CUMMINS diesel generator sets

 / Page 12-13
RICARDO diesel generator sets

 / Page 18-19
LOVOL diesel generator sets

 / Page 05-07
PERKINS diesel generator sets

 / Page 12-13
KUBOTA diesel generator sets

 / Page 20-37
Brushless Three-phase A.C. Synchronous Alternators

 / Page 08-10
DEUTZ diesel generator sets

 / Page 14-15
YUCHAI diesel generator sets

 / Page 38-39
ST/STC Single/three-phase A.C. Synchronous Alternators

 / Page 11
YANGDONG diesel generator sets

 / Page 16-17
SHANGCHAI diesel generator sets

SY-A 184

Series Brushless Stamford Style Alternators

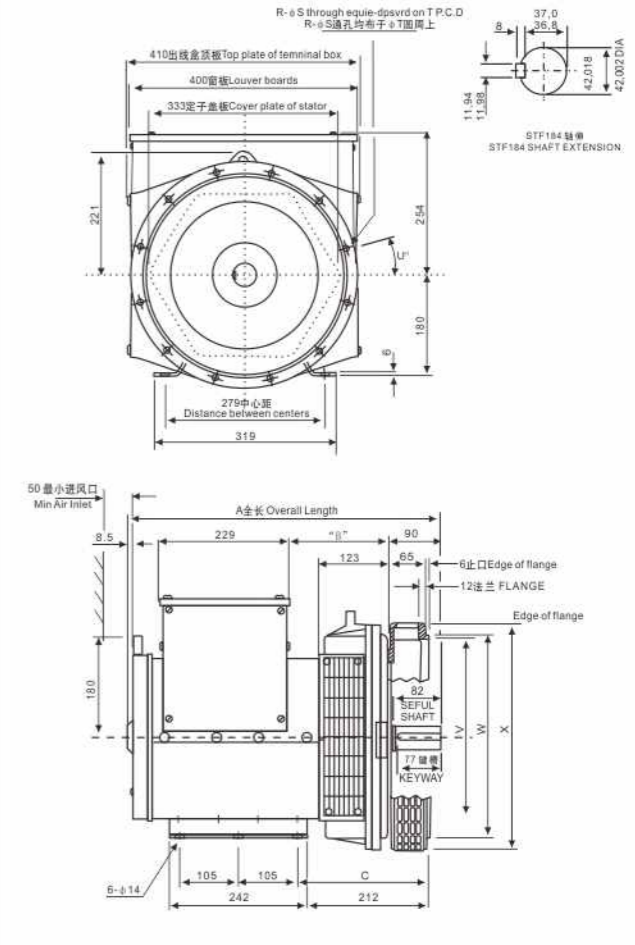
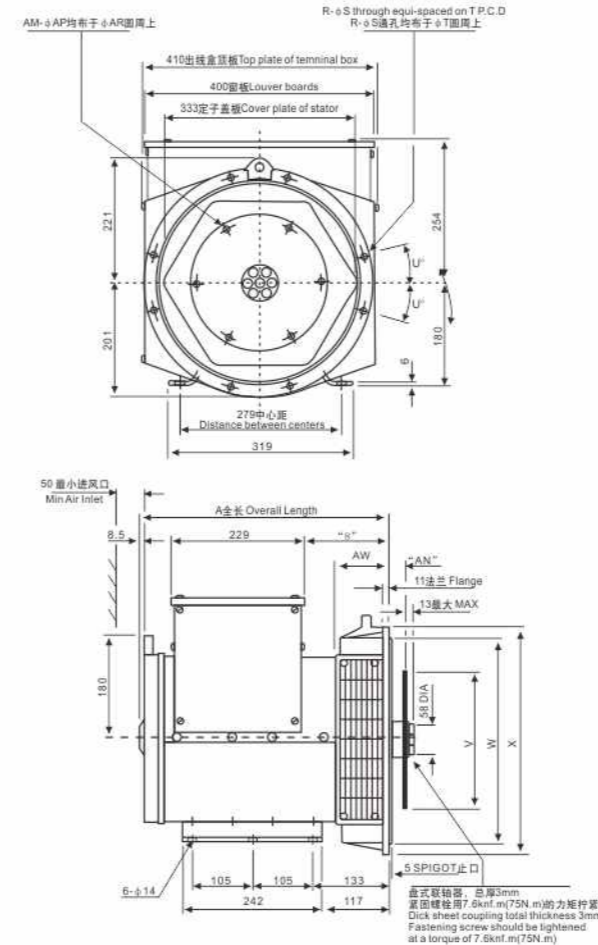


TECHNICAL DATA

	Three phase, Class H(125°C/40°C)						Single phase, Class H(125°C/40°C)						
	50Hz (1500RPM)			60Hz (1800RPM)			50Hz(1500RPM)			60Hz(1800RPM)			
STAR-SERIES	380	400	415	416	440	460	480	220	230	240	220	230	240
STAR-PARALLEL	190	200	208	208	220	230	240	110	115	120	110	115	120
DELTA-SERIES	220	230	240	240	254	266	277	N/A	N/A	N/A	N/A	N/A	N/A
SY-A 184E													
RATED CAPACITY(KVA)	22.5	22.5	22.5	27.5	28.8	28.8	30.0	15.0	15.0	15.0	18.4	18.4	18.4
RATED POWER(KW)	18.0	18.0	18.0	22.0	23.0	23.0	24.0	12.0	12.0	12.0	14.7	14.7	14.7
EFFICIENCY %	83.7	84.5	84.5	83.4	83.6	84.1	84.2	81.3	81.7	81.9	79.9	80.6	81.1
SY-A 184F													
RATED CAPACITY(KVA)	27.5	27.5	27.5	32.5	34.4	34.4	35.0	18.5	18.5	18.5	21.9	21.9	21.9
RATED POWER(KW)	22.0	22.0	22.0	26.0	27.5	27.5	28.0	14.8	14.8	14.8	17.5	17.5	17.5
EFFICIENCY %	85.3	86.0	86.0	85.4	85.5	86.0	86.1	82.7	83.3	83.3	81.9	81.9	82.8
SY-A 184G													
RATED CAPACITY(KVA)	31.3	31.3	31.3	35.0	37.5	37.5	37.5	21.0	21.0	21.0	25.0	25.0	25.0
RATED POWER(KW)	25.0	25.0	25.0	28.0	30.0	30.0	30.0	16.8	16.8	16.8	20.0	20.0	20.0
EFFICIENCY %	85.7	86.4	86.4	86.3	86.3	86.7	87.0	83.7	83.9	83.9	83.0	83.0	83.7
SY-A 184H													
RATED CAPACITY(KVA)	37.5	37.5	37.5	44.3	46.9	46.9	46.9	25.0	25.0	25.0	31.3	31.3	31.3
RATED POWER(KW)	30.0	30.0	30.0	35.4	37.5	37.5	37.5	20.0	20.0	20.0	25.0	25.0	25.0
EFFICIENCY %	86.2	86.9	86.9	86.2	86.3	86.7	87.0	82.9	82.9	82.9	82.8	82.8	82.8
SY-A 184J													
RATED CAPACITY(KVA)	40.0	42.5	40.0	47.3	50.0	50.0	50.0	28.0	28.0	28.0	35.0	35.0	35.0
RATED POWER(KW)	32.0	34.0	32.0	37.8	40.0	40.0	40.0	22.4	22.4	22.4	28.0	28.0	28.0
EFFICIENCY %	87.6	87.1	87.1	87.3	86.7	86.8	87.2	87.5	83.0	83.0	82.9	83.0	83.0

Note: The generators have been designed for use in a maximum ambient temperature of 40°C and altitude less than 1000m above sea level
Other special voltage range can be met by MINDONG SHENGYUAN factory.

SY-A 184 External Dimension



Single-bearing

S.A.E.No.	COUPLING DISC				
	AN	AM	AS	AT	V
6.5	30.16	6	8.7	200.0	215.8
7.5	30.16	8	8.7	222.2	241.2
8	61.9	6	11	244.5	263.4
10	53.98	8	11	295.3	314.2
11.5	39.68	8	11	333.4	352.3
14	25.4	8	13.5	438.2	466.5

S.A.E.No.	ADAPTOR								
	AW	R	S	T	U°	W	X	C	D
2	132.3	12	11	466.7	15	447.6	489	172	156
3	105	8	11	428.6	15	409.5	451	145	129
4	93	8	11	381.0	15	361.9	402	133	117
5	93	8	11	333.3	22.5	314.3	356	133	117
6	124.7	8	11	385.8	22.5	266.7	308	164.7	148.7

TYPE	TRANSPORTATION DATA		
	N.W(kg)	G.W(kg)	PACKAGE SIZE(CM)
SY-A 184E	120	133	53×48×52
SY-A 184F	150	156	62.5×48×52
SY-A 184G	156	172	62.5×48×52
SY-A 184H	216	226	68.5×48×52
SY-A 184J	226	236	68.5×48×52

Double-bearing

TYPE	DIMENSION					
	A	B	C	D	E	F
SY-A 184E	551.5	177	65	228	82	77
SY-A 184F	641.5	267	65	228	82	77
SY-A 184G	641.5	267	65	228	82	77
SY-A 184H	641.5	267	105	271	110	100
SY-A 184J	641.5	267	105	271	110	100

S.A.E.No.	ADAPTOR							
	R	S	T	U°	V	W	X	
1	12	12.7	530.2	15	500	511.17	553	
2	12	11	466.7	15	432	447.6	495	
3	12	11	428.6	15	396	409.5	451	
4	12	11	381.0	15	352	361.9	403	
5	8	11	333.3	22.5	301	314.3	356	

TYPE	TRANSPORTATION DATA		
	N.W(kg)	G.W(kg)	PACKAGE SIZE(CM)
SY-A 184E	140	141	60×48×52
SY-A 184F	158	164	69.5×48×52
SY-A 184G	170	180	69.5×48×52
SY-A 184H	200	230	76×48×52
SY-A 184J	230	240	76×48×52

All drawings and weight data for reference only, please contact MINDONG SHENGYUAN factory if there is any doubt

SY-A 224

Series Brushless Stamford Style Alternators

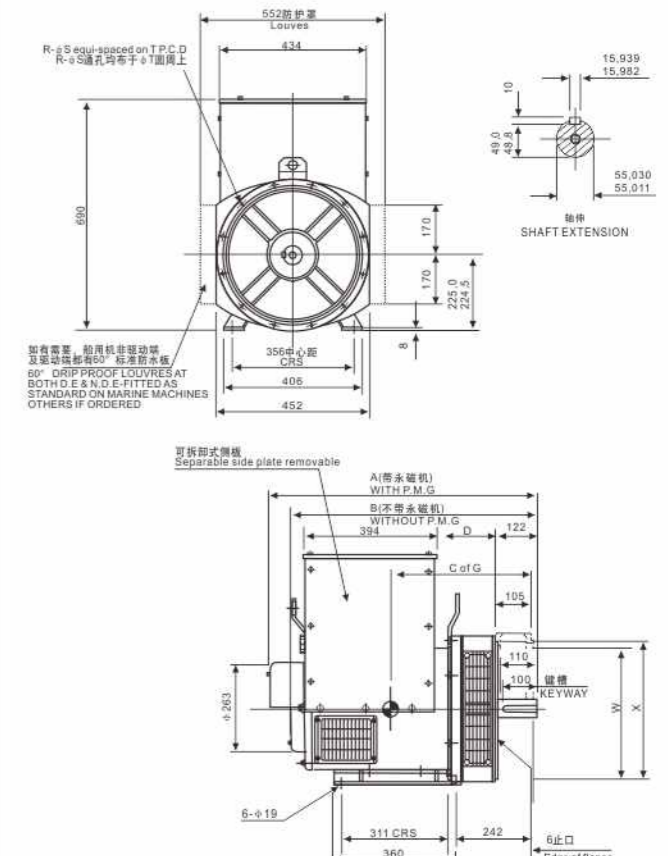
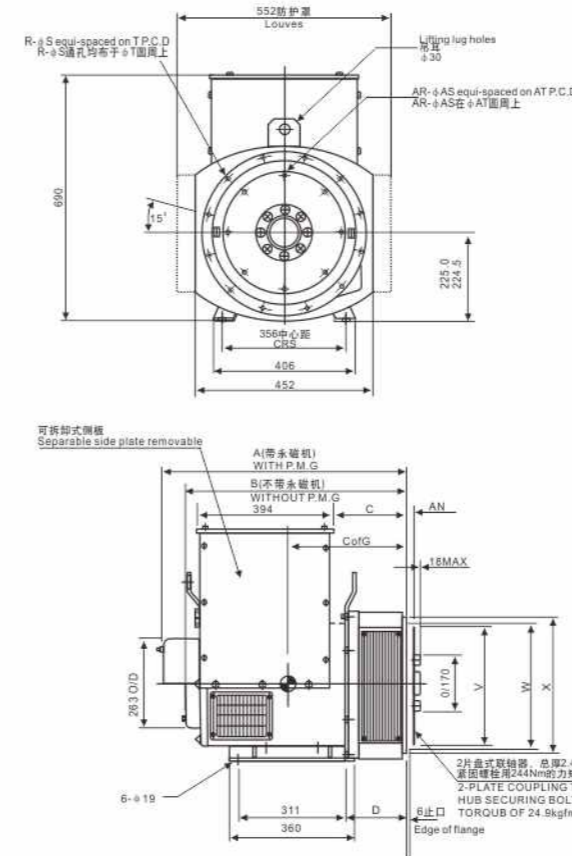


TECHNICAL DATA

SY-A224												
	50Hz(1500rpm)						60Hz(1800rpm)					
	AMBIENT TEMP.	PRIME 40°C	PEAK 40°C	PEAK 27°C	PRIME 40°C	PEAK 40°C	PEAK 27°C	PRIME 40°C	PEAK 40°C	PEAK 27°C	PRIME 40°C	PEAK 40°C
TEMP. RISE	PRIME 125°C	STANDBY 150°C	STANDBY 163°C	PRIME 125°C	STANDBY 150°C	STANDBY 163°C	PRIME 125°C	STANDBY 150°C	STANDBY 163°C	PRIME 125°C	STANDBY 150°C	STANDBY 163°C
VOLTAGE	380	400	415	380	400	415	380	400	415	416	440	480
SY-A 224C												
RATED CAPACITY(KVA)	42.5	42.5	42.5	45.0	45.0	45.0	46.8	46.8	46.8	50.0	52.5	55.0
RATED POWER(KW)	34.0	34.0	34.5	36.0	36.0	36.0	37.4	37.4	37.4	40.0	42.0	44.0
EFFICIENCY%	86.6	87.1	87.4	86.2	86.2	87.1	86.0	86.6	86.9	87.1	87.5	88.1
SY-A 224D												
RATED CAPACITY(KVA)	50.0	50.0	50.0	53.0	53.0	53.0	55.0	55.0	55.0	60.0	62.5	65.0
RATED POWER(KW)	40.0	40.0	40.0	42.4	42.4	42.4	44.0	44.0	44.0	48.0	50.0	52.0
EFFICIENCY %	87.7	88.2	88.5	87.4	87.4	88.2	87.2	87.7	88.0	88.0	88.4	89.0
SY-A 224E												
RATED CAPACITY(KVA)	60.0	60.0	60.0	61.0	61.0	61.0	63.0	63.0	63.0	67.5	70.0	75.0
RATED POWER(KW)	48.0	48.0	48.0	48.8	48.8	48.8	50.4	50.4	50.4	54.0	56.0	60.0
EFFICIENCY %	88.3	88.8	89.1	88.2	88.2	89.0	88.0	88.5	88.8	88.8	89.2	89.6
SY-A 224F												
RATED CAPACITY(KVA)	72.5	72.5	72.5	77.0	77.0	77.0	80.0	80.0	80.0	83.8	87.5	93.8
RATED POWER(KW)	58.0	58.0	58.0	61.6	61.6	61.6	64.0	64.0	64.0	67.0	70.0	75.0
EFFICIENCY %	89.6	89.9	90.1	89.4	89.4	89.9	89.2	89.6	89.8	89.8	90.0	90.6
SY-A 224G												
RATED CAPACITY(KVA)	85.0	85.0	85.0	87.5	87.5	87.5	90.8	90.8	90.8	93.8	97.5	103.8
RATED POWER(KW)	68.0	68.0	68.0	70.0	70.0	70.0	72.6	72.6	72.6	75.0	78.0	83.0
EFFICIENCY %	89.8	90.2	90.4	89.7	89.7	90.3	89.6	89.9	90.1	90.5	90.8	91.0

Note: The generators have been designed for use in a maximum ambient temperature of 40°C and altitude less than 1000m above sea level
Other special voltage range can be met by MINDONG SHENGYUAN factory.

SY-A 224 External Dimension



Single-bearing

TYPE	DIMENSION				
	A	B	C	C of G	
SY-A 224C	724.3	661.3	224.3	323	
SY-A 224D	724.3	661.3	224.3	333	
SY-A 224E	814.3	751.3	314.3	348	
SY-A 224F	814.3	751.3	314.3	358	
SY-A 224G	859.3	796.3	359.3	373	
SAE1	SY-A 224C	710	647	210	311
SAE2 & 3	SY-A 224D	710	647	210	321
	SY-A 224E	800	737	300	336
	SY-A 224F	800	737	300	346
	SY-A 224G	845	782	345	361

S.A.E.No.	ADAPTOR				
	D	R	S	T	W
1	191.3	12	12.7	530.2	511.1
2	177	12	11	466.7	447.6
3	177	12	11	428.6	409.5
4	177	12	11	381.0	361.9

S.A.E.No.	COUPLING DISC				
	AN	AR	AS	AT	V
8	61.9	6	10.3	244.5	263.4
10	53.98	8	10.3	295.3	314.2
11.5	39.68	8	10.3	333.4	352.3
14	25.40	8	13.5	438.2	466.5

TYPE	TRANSPORTATION DATA		
	N.W(kg)	G.W(kg)	PACKAGE SIZE(CM)
SY-A 224C	235	255	76×50×76
SY-A 224D	250	270	76×50×76
SY-A 224E	270	290	85×50×76
SY-A 224F	310	330	85×50×76
SY-A 224G	350	370	89×50×76

Double-bearing

TYPE	DIMENSION			
	A	B	C	C of G
SY-A 224C	792	729	170	368
SY-A 224D	792	729	170	378
SY-A 224E	882	819	260	393
SY-A 224F	882	819	260	403
SY-A 224G	972	864	305	418

S.A.E.No.	ADAPTOR				
	R	S	T	W	R
1	12	12.7	530.2	511.17	553
2	12	11	466.7	447.6	495
3	12	11	428.6	409.5	451
4	12	11	381.0	361.9	403
5	8	11	333.3	314.3	356

TYPE	TRANSPORTATION DATA		
	N.W(kg)	G.W(kg)	PACKAGE SIZE(CM)
SY-A 224C	241	275	79×50×76
SY-A 224D	258	295	79×50×76
SY-A 224E	274	315	89×50×76
SY-A 224F	289	345	89×50×76
SY-A 224G	363	385	94×50×76

All drawings and weight data for reference only, please contact MINDONG SHENGYUAN factory if there is any doubt

SY-A 274

Series Brushless Stamford Style Alternators

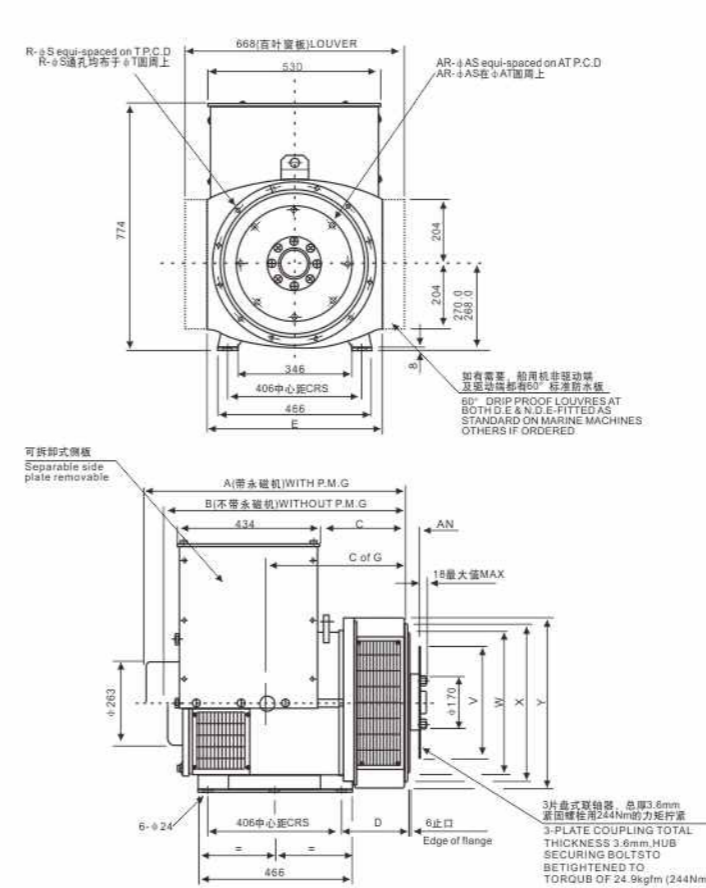


TECHNICAL DATA

		SY-A274					
		50Hz(1500rpm)			60Hz(1800rpm)		
AMBIENT TEMP.		PRIME 40°C	PEAK 40°C	PEAK 27°C	PRIME 40°C	PEAK 40°C	PEAK 27°C
TEMP. RISE		PRIME 125°C	STANDBY 150°C	STANDBY 163°C	PRIME 125°C	STANDBY 150°C	STANDBY 163°C
VOLTAGE		380 400 415	380 400 415	380 400 415	416 440 480	416 440 480	416 440 480
SY-A 274C							
RATED CAPACITY(KVA)		100.0 100.0 100.0	106.0 106.0 106.0	110.0 110.0 110.0	112.5 117.5 125.0	116.3 125.0 132.5	120.0 127.5 137.5
RATED POWER(KW)		80.0 80.0 80.0	84.8 84.8 84.8	88.0 88.0 88.0	90.0 94.0 100.0	93.0 100.0 106.0	96.0 102.0 110.0
EFFICIENCY%		89.8 90.3 90.6	89.5 90.0 90.4	89.2 89.8 90.2	90.2 90.6 91.1	90.0 90.2 90.8	89.8 90.1 90.6
SY-A 274D							
RATED CAPACITY(KVA)		114.0 120.0 114.0	121.0 127.0 121.0	125.0 130.0 125.0	131.3 137.5 146.3	137.5 145.0 156.3	142.5 150.0 158.8
RATED POWER(KW)		91.2 96.0 91.2	96.8 101.6 96.8	100.0 104.0 100.0	105.0 110.0 117.0	110.0 116.0 125.0	114.0 120.0 127.0
EFFICIENCY %		90.3 90.6 91.1	91.1 91.6 91.8	91.0 91.4 91.7	90.5 90.8 91.3	91.2 91.5 92.0	91.0 91.4 91.9
SY-A 274E							
RATED CAPACITY(KVA)		140.0 140.0 140.0	145.0 145.0 145.0	150.0 150.0 150.0	160.0 167.5 178.8	170.0 175.0 187.5	175.0 181.3 193.8
RATED POWER(KW)		112.0 112.0 112.0	116.0 116.0 116.0	120.0 120.0 120.0	128.0 134.0 143.0	136.0 140.0 150.0	140.0 145.0 155.0
EFFICIENCY %		91.3 91.7 92.0	91.1 91.6 91.8	91.0 91.4 91.7	91.4 91.7 92.1	91.2 91.5 92.0	91.0 91.4 91.9
SY-A 274F							
RATED CAPACITY(KVA)		160.0 160.0 160.0	170.0 170.0 170.0	175.0 175.0 175.0	181.3 190.0 206.3	187.5 200.0 212.5	192.5 206.3 218.8
RATED POWER(KW)		128.0 128.0 128.0	136.0 136.0 136.0	140.0 140.0 140.0	145.0 152.0 165.0	150.0 160.0 170.0	154.0 165.0 175.0
EFFICIENCY %		92.0 92.3 92.5	91.7 92.1 92.3	91.6 92.0 92.2	92.1 92.4 92.7	92.0 92.2 92.6	91.9 92.1 92.5
SY-A 274G							
RATED CAPACITY(KVA)		182.0 182.0 182.0	187.0 187.0 187.0	200.0 200.0 200.0	205.0 218.5 231.4	213.0 228.8 250.0	218.5 234.0 253.3
RATED POWER(KW)		145.6 145.6 145.6	149.6 149.6 149.6	160.0 160.0 160.0	164.0 174.8 185.1	170.4 183.0 200.0	174.8 187.2 202.6
EFFICIENCY %		92.0 92.4 92.6	91.9 92.2 92.5	91.7 92.1 92.3	92.2 92.4 92.7	92.0 92.2 92.5	91.9 92.1 92.5
SY-A 274H							
RATED CAPACITY(KVA)		200.0 200.0 200.0	212.0 212.0 212.0	220.0 220.0 220.0	237.5 245.0 255.0	250.0 258.8 275.0	256.3 265.0 280.0
RATED POWER(KW)		160.0 160.0 160.0	169.6 169.6 169.6	176.0 176.0 176.0	190.0 196.0 204.0	200.0 207.0 220.0	205.0 212.0 224.0
EFFICIENCY %		93.0 93.3 93.4	92.8 93.1 93.3	92.7 93.0 93.2	93.0 93.2 93.6	92.8 93.1 93.4	92.7 93.0 93.3

Note: We also have the data of SY-A274J and SY-A274K, including the External Dimensions.
The generators have been designed for use in a maximum ambient temperature of 40°C and altitude less than 1000m above sea level
Other special voltage range can be met by MINDONG SHENGYUAN factory.

SY-A 274 External Dimension



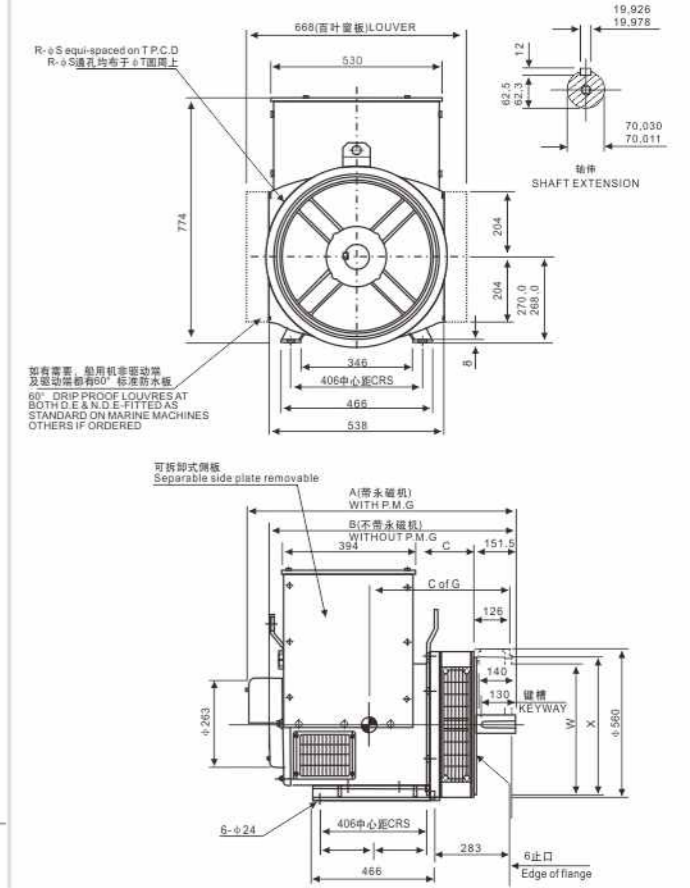
Single-bearing

		DIMENSION				
		A	B	C	E	C of G
SAE1	SY-A 274C	813.3	750.3	274.3	554	365
	SY-A 274D	831.3	750.3	274.3	554	375
	SY-A 274E	928.3	865.3	389.3	554	390
	SY-A 274F	928.3	865.3	389.3	554	415
	SY-A 274G	978.3	915.3	439.3	554	435
	SY-A 274H	1018.3	955.3	479.3	554	455
SAE2 & 3	SY-A 274C	799	736	260	554	398
	SY-A 274D	799	736	260	554	422
	SY-A 274E	914	851	375	554	489
	SY-A 274F	914	851	375	554	527
	SY-A 274G	964	904	425	554	579
	SY-A 274H	1004	941	465	554	625

		ADAPTOR					
S.A.E.No.	D	R	S	T	W	X	Y
1	216.3	12	12.7	530.2	511.1	533	580
2	202	12	11	466.7	447.6	490	530
3	202	12	11	428.6	409.5	451	530

		COUPLING DISC				
S.A.E.No.	AN	AR	AS	AT	V	
10	53.98	8	10.3	295.3	314.2	
11.5	39.68	8	10.3	333.4	352.3	
14	25.40	8	13.5	438.2	466.5	

		TRANSPORTATION DATA		
TYPE	N.W(kg)	G.W(kg)	PACKAGE SIZE(CM)	
SY-A 274B/C	385	415	82×60×86	
SY-A 274D	405	435	82×60×86	
SY-A 274E	455	485	96×60×86	
SY-A 274F	500	530	96×60×86	
SY-A 274G	550	580	101×60×86	
SY-A 274H	600	630	107×60×86	



Double-bearing

		DIMENSION			
		A	B	C	C of G
SAE1	SY-A 274C	905	842	215	420
	SY-A 274D	905	842	215	430
	SY-A 274E	1020	957	330	445
	SY-A 274F	1020	957	330	475
	SY-A 274G	1070	1007	380	490
	SY-A 274H	1110	1047	420	510

		ADAPTOR				
S.A.E.No.	R	S	T	W	X	
1	12	12.7	530.2	511.7	553	
2	12	11	466.7	447.6	489	
3	12	11	428.6	409.5	451	

		TRANSPORTATION DATA		
TYPE	N.W(kg)	G.W(kg)	PACKAGE SIZE(CM)	
SY-A 274C	395	435	91×60×86	
SY-A 274D	420	460	91×60×86	
SY-A 274E	480	510	97×60×86	
SY-A 274F	510	550	97×60×86	
SY-A 274G	584	500	107×60×86	
SY-A 274H	624	650	110×60×86	

All drawings and weight data for reference only, please contact MINDONG SHENGYUAN factory if there is any doubt

SY-A 314

Series Brushless Stamford Style Alternators

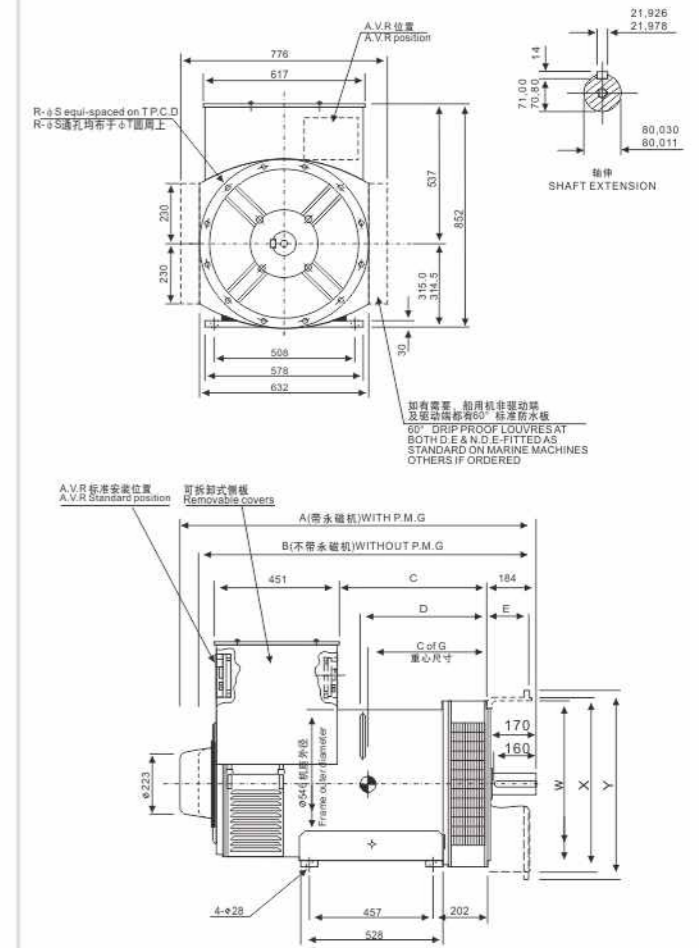
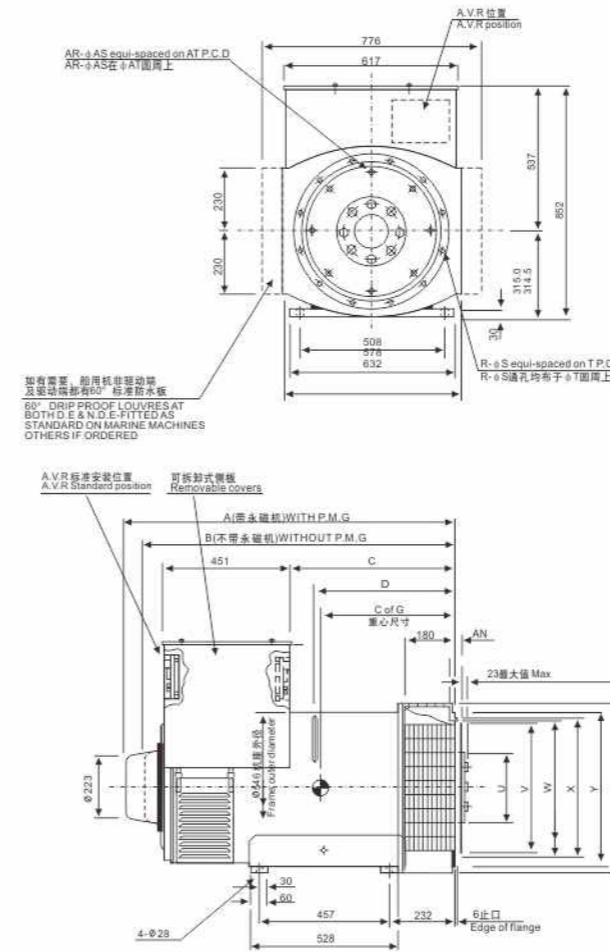


TECHNICAL DATA

	SY-A 314																	
	50Hz(1500rpm)						60Hz(1800rpm)											
AMBIENT TEMP.	PRIME 40°C			PEAK 40°C			PEAK 27°C			PRIME 40°C			PEAK 40°C			PEAK 27°C		
TEMP. RISE	PRIME 125°C			STANDBY 150°C			STANDBY 163°C			PRIME 125°C			STANDBY 150°C			STANDBY 163°C		
VOLTAGE	380	400	415	380	400	415	380	400	415	416	440	480	416	440	480	416	440	480
SY-A 314C																		
RATED CAPACITY(KVA)	250	250	250	270	270	270	275	275	275	287.5	300	315	300	320	335	310	330	345
RATED POWER(KW)	200	200	200	216	216	216	220	220	220	230	240	252	240	256	268	248	264	276
EFFICIENCY%	92.5	92.8	93.0	92.0	92.3	92.6	91.8	92.2	92.5	92.6	92.7	93.0	92.3	92.3	92.7	92.1	92.2	92.5
SY-A 314D																		
RATED CAPACITY(KVA)	300	300	300	320	320	320	330	330	330	343.7	360	375	365	385	400	375	395	415
RATED POWER(KW)	240	240	240	256	256	256	264	264	264	275	288	300	292	308	320	300	316	332
EFFICIENCY %	92.7	93.0	93.2	92.3	92.7	92.9	92.1	92.5	92.7	92.9	93.0	93.3	92.5	92.6	93.0	92.4	92.5	92.8
SY-A 314E																		
RATED CAPACITY(KVA)	350	350	350	370	370	370	380	400	380	400	420	440	420	445	460	435	455	475
RATED POWER(KW)	280	280	280	296	296	296	304	320	304	320	336	352	336	356	368	348	364	380
EFFICIENCY %	93.2	93.5	93.6	93.2	93.5	93.6	92.7	92.7	93.2	93.4	93.5	93.7	93.4	93.5	93.7	92.9	93.0	93.3
SY-A 314F																		
RATED CAPACITY(KVA)	400	400	400	415	430	430	425	450	440	455	480	500	485	515	535	500	530	550
RATED POWER(KW)	320	320	320	332	344	344	340	360	352	364	384	400	388	412	428	400	424	440
EFFICIENCY %	93.2	93.4	93.6	92.9	93.0	93.2	92.8	92.8	93.1	93.4	93.4	93.7	93.1	93.1	93.4	92.9	92.9	93.2

Note: The generators have been designed for use in a maximum ambient temperature of 40°C and altitude less than 1000m above sea level
Other special voltage range can be met by MINDONG SHENGYUAN factory.

SY-A 314 External Dimension



Single-bearing

TYPE	DIMENSION				
	A	B	C	D	C of G
SY-A 314C	1172	1101	584	493	463
SY-A 314D	1172	1101	584	493	483
SY-A 314E	1172	1101	584	493	504
SY-A 314F	1262	1191	674	583	530

S.A.E.No.	ADAPTOR					
	R	S	T	W	X	Y
0	12	14	679.5	626	647.6	711
1/2	12	14	619.1	569	584.1	680
1	12	12.7	530.2	496	511.1	617
2	12	11	466.7	432	447.6	617
3	12	11	428.6	394	409.5	617

S.A.E.No.	COUPLING DISC					
	AN	AR	AS	AT	U	V
11.5	39.68	8	10.3	333.4	250	352.3
14	25.40	8	13.5	438.1	250	466.6
18	15.87	6	16.7	543.0	250	571.1

TYPE	TRANSPORTATION DATA		
	N.W(kg)	G.W(kg)	PACKAGE SIZE(CM)
SY-A 314C	850.5	910	126×68×93
SY-A 314D	915.5	975	126×68×93
SY-A 314E	995.5	1055	127×74×108
SY-A 314F	1123.5	1183	127×74×108

Double-bearing

TYPE	DIMENSION				
	A	B	C	D	C of G
SY-A 314C	1326	1255	554	463	433
SY-A 314D	1326	1255	554	463	453
SY-A 314E	1326	1255	554	463	474
SY-A 314F	1416	1345	644	553	500

S.A.E.No.	ADAPTOR						
	R	S	T	W	X	Y	E
0	16	14	679.5	632	647.6	711	150
1/2	12	14	619.1	569	584.1	648	150
1	12	12.7	530.2	496	511.1	553	150
12V135	12	14.0	625.0	590	604.9	660	158

TYPE	TRANSPORTATION DATA		
	N.W(kg)	G.W(kg)	PACKAGE SIZE(CM)
SY-A 314C	850.5	910	140×77×99
SY-A 314D	915.5	975	140×77×99
SY-A 314E	995.5	1055	140×77×99
SY-A 314F	1123.5	1183	150×77×99

All drawings and weight data for reference only, please contact MINDONG SHENGYUAN factory if there is any doubt

SY-A 404

Series Brushless Stamford Style Alternators

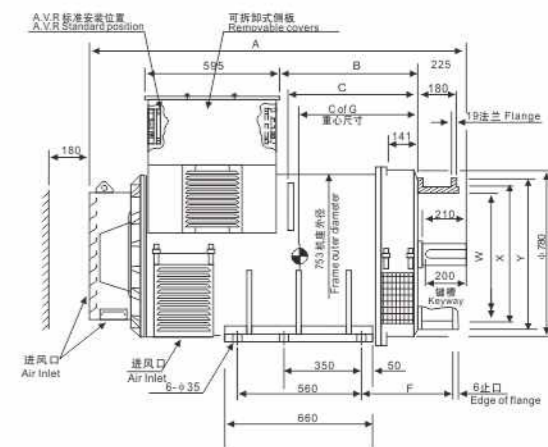
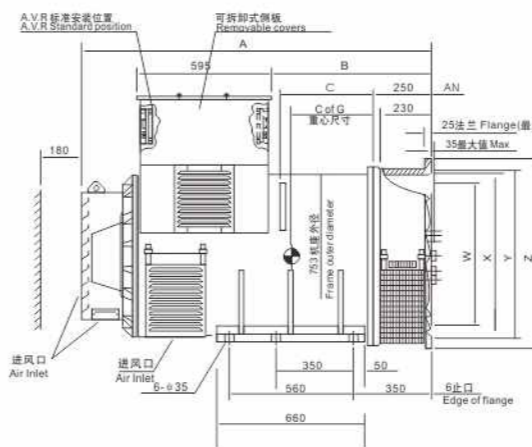
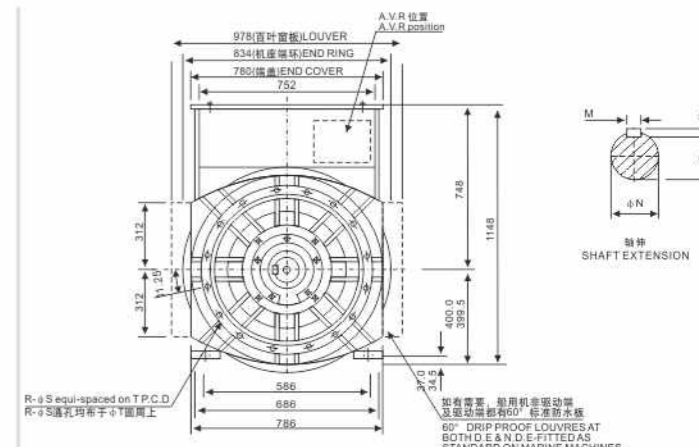
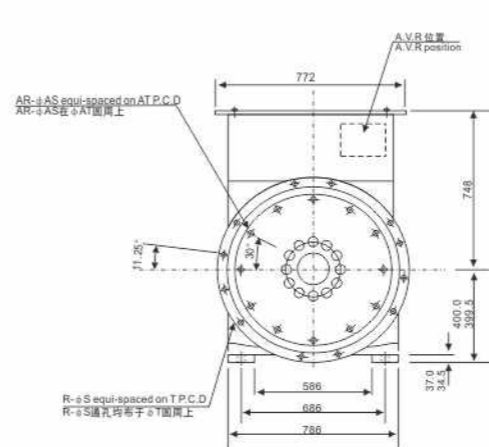


TECHNICAL DATA

SY-A404																			
AMBIENT TEMP.	50Hz(1500rpm)						60Hz(1800rpm)												
	PRIME 40°C	PEAK 40°C	PEAK 27°C	PRIME 40°C	PEAK 40°C	PEAK 27°C	PRIME 40°C	PEAK 40°C	PEAK 27°C	PRIME 40°C	PEAK 40°C	PEAK 27°C	PRIME 40°C	PEAK 40°C	PEAK 27°C				
TEMP. RISE	PRIME 125°C	105°C	STANDBY 150°C	STANDBY 163°C	PRIME 125°C	STANDBY 150°C	STANDBY 163°C	PRIME 125°C	STANDBY 150°C	STANDBY 163°C	PRIME 125°C	STANDBY 150°C	STANDBY 163°C	PRIME 125°C	STANDBY 150°C	STANDBY 163°C			
VOLTAGE	380	400	415	600	380	400	415	380	400	415	416	440	480	416	440	480			
SY-A 404B																			
RATED CAPACITY(KVA)	710	750	750	687.5	730	775	775	745	790	790	812.5	855	938	840	889	970	849	898	980
RATED POWER(KW)	568	600	600	550	584	620	620	596	634	632	650	684	750	672	711	776	679	718	784
EFFICIENCY%	93.2	93.3	93.5	93.5	93.1	93.1	93.3	93.0	93.2	93.3	92.8	93.0	93.1	92.8	93.0	93.1	92.8	92.9	93.4
SY-A 404C																			
RATED CAPACITY(KVA)	760	800	800	735	785	825	825	800	840	840	865	966	1000	897	948	1035	905	958	1045
RATED POWER(KW)	608	640	640	588	628	660	660	640	670	672	692	733	800	718	758	828	724	766	836
EFFICIENCY %	93.6	93.6	93.8	93.9	93.4	93.5	93.7	93.4	93.5	93.7	93.2	93.4	93.5	93.2	93.4	93.5	93.2	93.3	93.4
SY-A 404D																			
RATED CAPACITY(KVA)	865	910	910	835	890	938	938	910	955	955	986	1043	1138	1018	1077	1175	1030	1090	1190
RATED POWER(KW)	692	728	728	668	712	750	750	728	764	764	789	834	910	814	862	940.0	824	827	952
EFFICIENCY %	93.5	93.5	93.7	93.9	93.3	93.4	93.6	93.3	93.4	93.6	93.1	93.3	93.4	93.1	93.3	93.4	93.1	93.2	93.3
SY-A 404E																			
RATED CAPACITY(KVA)	950	1000	1000	912.5	980	1030	1030	1000	1050	1050	1083	1145	1250	1118	1180	1290	1130	1195	1305
RATED POWER(KW)	760	800	800	730	784	824	824	800	840	840	866	916	1000	894	944	1032	904	956	1044
EFFICIENCY %	94.2	94.2	94.4	94.3	94.1	94.1	94.3	94.1	94.2	94.3	93.9	94.0	94.0	93.9	94.0	94.1	93.9	94.0	94.0
SY-A 404F																			
RATED CAPACITY(KVA)	1090	1130	1130	1037.5	1125	1165	1165	1145	1185	1185	1204	1274	1390	1243	1315	1435	1257	1329	1450
RATED POWER(KW)	872	901	904	830.0	900	932	932	916	948	948	963	1019	1112	994	1052	1148	1006	1063	1160
EFFICIENCY %	94.6	94.7	94.8	94.7	94.5	94.6	94.7	94.6	94.7	94.8	94.5	94.6	94.6	94.5	94.6	94.6	94.5	94.5	94.5
SY-A 404G																			
RATED CAPACITY(KVA)	1190	1250	1250	1150	1225	1288	1288	1250	1313	1313	1310	1386	1513	1354	1432	1563	1369	1448	1580
RATED POWER(KW)	952	1000	1000	920	980	1030	1030	1000	1050	1050	1048	1109	1210	1083	1146	1250.4	1095	1158	1264
EFFICIENCY %	94.8	94.9	95.0	94.9	94.8	94.8	94.9	94.9	94.9	95.0	94.8	94.9	94.8	94.8	94.9	94.8	94.8	94.8	94.7

Note: The generators have been designed for use in a maximum ambient temperature of 40°C and altitude less than 1000m above sea level
Other special voltage range can be met by MINDONG SHENGYUAN factory.

SY-A 404 External Dimension



Single-bearing

TYPE	DIMENSION			
	A	B	C	C of G
SY-A 404B	1578	726	405	587
SY-A 404C	1578	726	405	591
SY-A 404D	1578	726	405	597
SY-A 404E	1578	726	405	607
SY-A 404F	1578	726	405	625
SY-A 404G	1679	826	464	735

S.A.E.No.	ADAPTOR						
	X	Y	Z	N	R	S	T
00	772	787.3	883	16	16	14	851.0
0	632	647.6	810	16	16	14	679.5
0.5	559	584.1	810	16	16	14	619.1

S.A.E.No.	COUPLING DISC			
	W	AN	AR	AS AT
24	733.3	0	12	20.7 692
21	673.02	0	12	16.7 641.3
18	571.42	15.87	6	16.7 543.0
14	466.64	25.40	8	13.5 438.1

TYPE	TRANSPORTATION DATA		
	N.W(kg)	G.W(kg)	PACKAGE SIZE(CM)
SY-A 404B	1950	2020	168×95×130
SY-A 404C	1970	2040	168×95×130
SY-A 404D	2030	2100	168×95×130
SY-A 404E	2190	2260	168×95×130
SY-A 404F	2420	2490	168×95×130
SY-A 404G	2750	2820	178×95×130

Double-bearing

TYPE	DIMENSION				
	A	B	C	F	C of G
SY-A 404B	1718	640	570	446	587
SY-A 404C	1718	640	570	446	591
SY-A 404D	1718	640	570	446	597
SY-A 404E	1718	640	570	446	607
SY-A 404F	1718	640	570	446	625
SY-A 404G	1904	826	716	531	753

S.A.E.No.	ADAPTOR					
	W	X	Y	R	S	T
00	768	787.3	882	16	14	851.0
0	621	647.6	711	16	14	679.5
0.5	568	584.1	648	12	14	619.1

BCDEF	COUPLING DISC			
	M	N	O	P
G	27.978	110.035	100.0	16
	27.926	110.013	99.8	
	31.974	125.040	114.0	18
	31.912	125.015	113.8	

TYPE	TRANSPORTATION DATA		
	N.W(kg)	G.W(kg)	PACKAGE SIZE(CM)
SY-A 404B	1960	2030	186×95×130
SY-A 404C	1980	2050	186×95×130
SY-A 404D	2040	2110	186×95×130
SY-A 404E	2210	2280	186×95×130
SY-A 404F	2430	2500	186×95×130
SY-A 404G	2760	2830	206×95×130

All drawings and weight data for reference only, please contact MINDONG SHENGYUAN factory if there is any doubt.

SY-A 504

Series Brushless Stamford Style Alternators

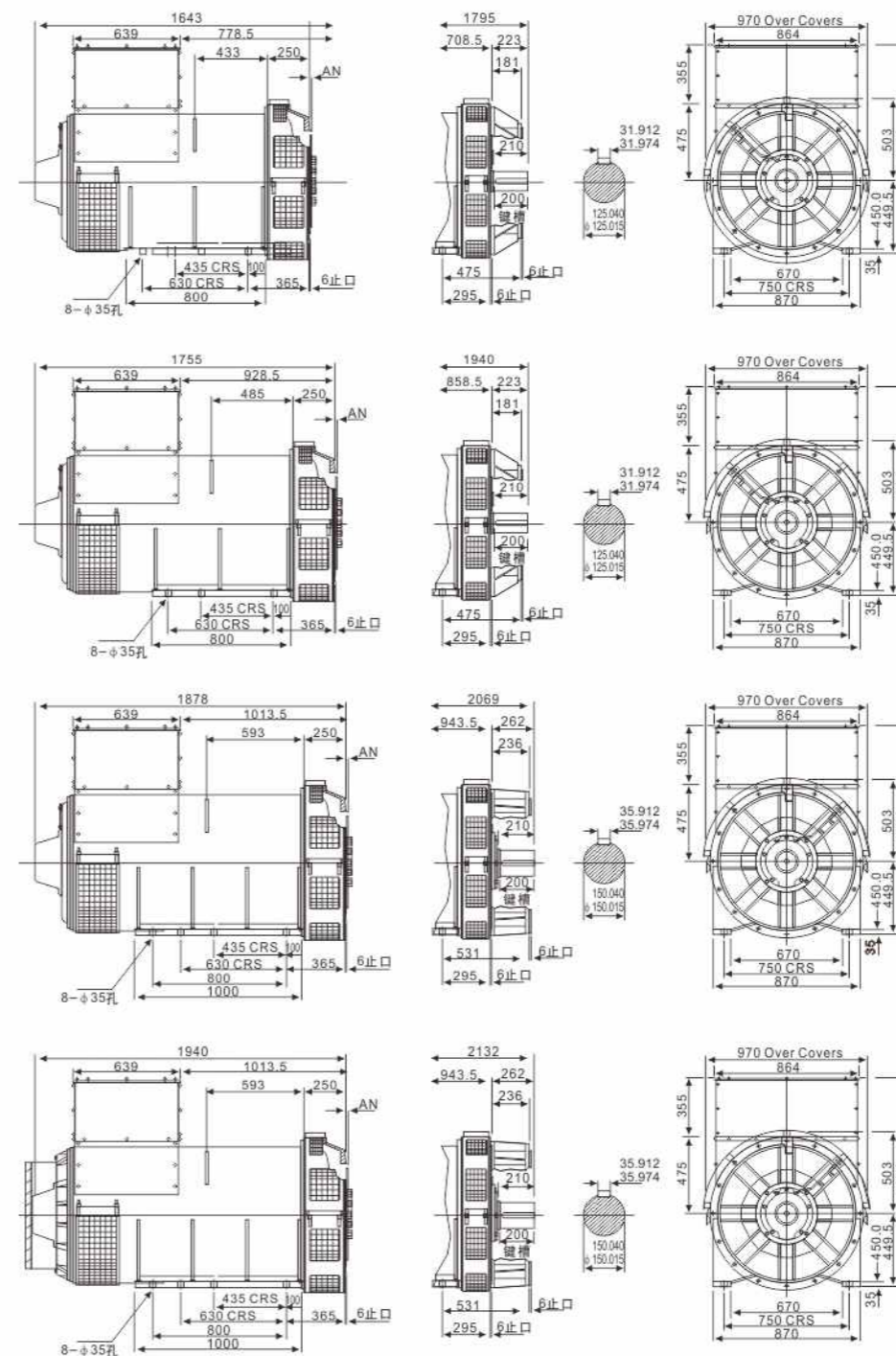


TECHNICAL DATA

INDUSTRIAL GENERATORS								
FREQUENCY	400V~50Hz 1500rpm			600V~60Hz	60Hz 1800rpm			
PRIME	PRIME40°C	PRIME40°C	PRIME27°C	PRIME40°C	PRIME40°C	PRIME40°C	PRIME27°C	
AMBIEN TEMP	PRIME125°C	PRIME150°C	PRIME163°C	PRIME105°C	PRIME125°C	PRIME150°C	PRIME163°C	
SY-A 504A	KVA	1260	1315	1350	1125	1525	1585	1630
	kW	1008	1052	1080	900	1220	1268	1304
	Eff	94.8	94.6	94.5	94.9	95.0	94.9	94.8
SY-A 504B	KVA	1400	1460	1500	1237.5	1690	1760	1810
	kW	1120	1168	1200	990	1352	1408	1448
	Eff	95.3	95.2	95.1	95.1	95.5	95.4	95.3
SY-A 504C	KVA	1550	1615	1660	1375	1890	1970	2025
	kW	1240	1292	1328	1100	1512	1576	1620
	Eff	95.7	95.6	95.5	95.3	95.9	95.8	95.7
SY-A 504D	KVA	1650	1720	1770	N/A	2015	2100	2160
	kW	1320	1376	1416	N/A	1612	1680	1728
	Eff	96.2	96.1	96.0	N/A	96.3	96.2	96.1
SY-A 504E	KVA	1900	1980	2035	1662.5	2300	2395	2465
	kW	1520	1584	1628	1330	1840	1916	1972
	Eff	96.2	96.1	96.0	95.6	96.3	96.3	96.5
SY-A 504F	KVA	2080	2170	2250	1787.5	2600	2705	2785
	kW	1664	1736	1800	1430	2080	2164	2228
	Eff	96.4	96.3	96.2	95.6	96.5	96.4	96.3
SY-A 504G	KVA	2200	2295	2360	1900	2750	2860	2945
	kW	1760	1836	1888	1520	2200	2288	2356
	Eff	96.0	95.9	95.9	95.7	96.1	96.0	95.9

Note: The generators have been designed for use in a maximum ambient temperature of 40°C and altitude less than 1000m above sea level
Other special voltage range can be met by MINDONG SHENGYUAN factory.

SY-A 504 External Dimension



Single-bearing

TYPE	TRANSPORTATION		
	N.W(kg)	G.W(kg)	PACKAGE SIZE (cm)
SY-A 504A	2760	2833	194 × 105 × 154
SY-A 504B	2760	2833	194 × 105 × 154
SY-A 504C	3018	3091	194 × 105 × 154
SY-A 504D	3318	3391	216 × 105 × 154
SY-A 504E	3556	3629	216 × 105 × 154
SY-A 504F	3840	3913	216 × 105 × 154
SY-A 504G	4054	4127	216 × 105 × 154

Double-bearing

TYPE	TRANSPORTATION		
	N.W(kg)	G.W(kg)	PACKAGE SIZE (cm)
SY-A 504A	2710	2779	194 × 105 × 154
SY-A 504B	2710	2779	194 × 105 × 154
SY-A 504C	2967	3036	194 × 105 × 154
SY-A 504D	3267	3336	216 × 105 × 154
SY-A 504E	3506	3575	216 × 105 × 154
SY-A 504F	3807	3876	216 × 105 × 154
SY-A 504G	4022	4091	216 × 105 × 154

SY-A 504A,B&C

Coupling disc	'AN'
SAE NO.18	15.7
SAE NO.21	0
SAE NO.24	0

Single point of transition joint sleeve

SAE NO.0	SAE NO.00
----------	-----------

Two point of transition joint sleeve

SAE NO.0	SAE NO.00
----------	-----------

SY-A 504E&D

Coupling disc	'AN'
SAE NO.18	15.7
SAE NO.21	0
SAE NO.24	0

Single point of transition joint sleeve

SAE NO.0	SAE NO.00
----------	-----------

Two point of transition joint sleeve

SAE NO.0	SAE NO.00
----------	-----------

SY-A 504F

Coupling disc	'AN'
SAE NO.18	15.7
SAE NO.21	0
SAE NO.24	0

Single point of transition joint sleeve

SAE NO.0	SAE NO.00
----------	-----------

Two point of transition joint sleeve

SAE NO.0	SAE NO.00
----------	-----------

SY-A 504G

Coupling disc	'AN'
SAE NO.18	15.7
SAE NO.21	0
SAE NO.24	0

Single point of transition joint sleeve

SAE NO.0	SAE NO.00
----------	-----------

Two point of transition joint sleeve

SAE NO.0	SAE NO.00
----------	-----------

ST/STC

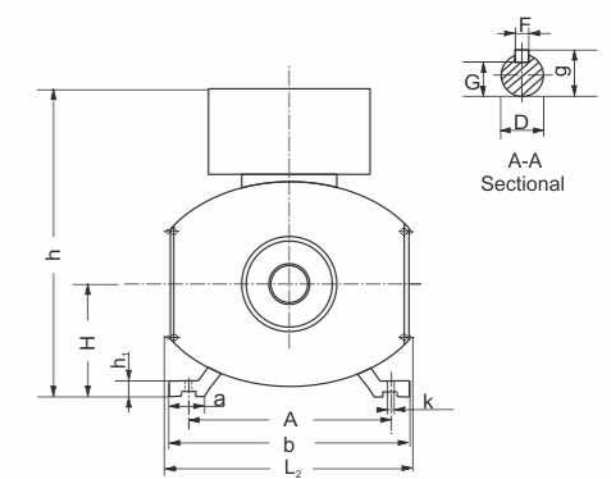
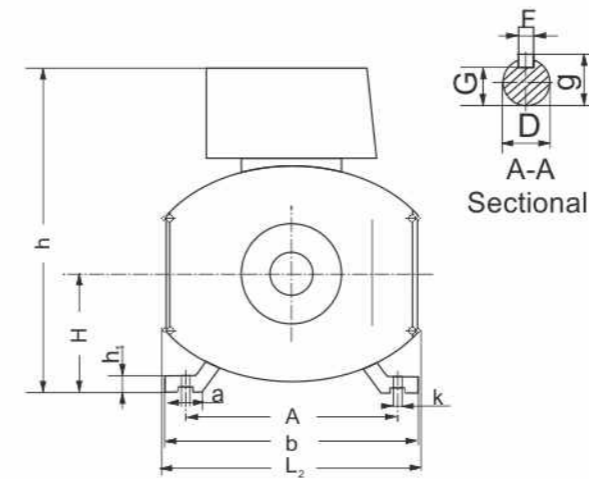
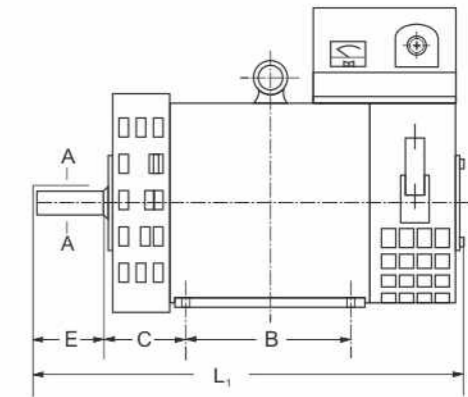
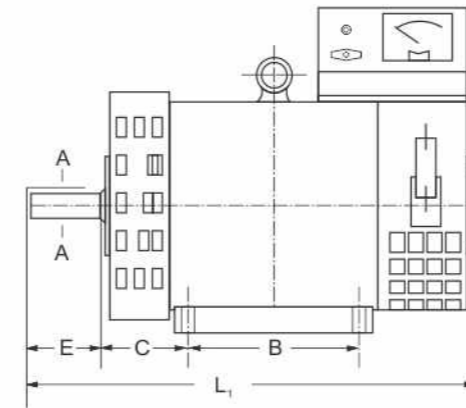
Series single/three-phase A.C. Synchronous Alternators



TECHNICAL DATA(50Hz/60Hz)

Type	Output		Pole number	Speed r.p.m	Meas mm	Gross W kg
	KW	A				
STC-2	2	3.6	4	1500/1800	510x290x420	50
STC-3	3	5.4	4	1500/1800	510x290x420	51
STC-5	5	9	4	1500/1800	610x350x480	80
STC-7.5	7.5	13.5	4	1500/1800	610x350x480	83
STC-8	8	14.4	4	1500/1800	610x350x480	85
STC-10	10	18.1	4	1500/1800	640x390x530	96
STC-12	12	21.7	4	1500/1800	640x390x530	100
STC-15	15	27.1	4	1500/1800	700x430x580	130
STC-20	20	36.1	4	1500/1800	700x430x580	140
STC-24	24	43.3	4	1500/1800	700x430x580	150
STC-30	30	54.1	4	1500/1800	800x490x670	200
STC-40	40	72.2	4	1500/1800	800x490x670	230
STC-50	50	90.2	4	1500/1800	800x490x670	250
STC-64	64	115.6	4	1500/1800	800x490x670	320
STC-75	75	135.5	4	1500/1800	800x490x670	360
ST-2	2	8.7	4	1500/1800	510x290x420	49
ST-3	3	13	4	1500/1800	510x290x420	50
ST-5	5	21.7	4	1500/1800	610x350x480	79
ST-7.5	7.5	32.6	4	1500/1800	610x350x480	82
ST-8	8	34.7	4	1500/1800	610x350x480	84
ST-10	10	43.5	4	1500/1800	640x390x530	96
ST-12	12	52.2	4	1500/1800	640x390x530	99
ST-15	15	65.2	4	1500/1800	640x390x530	129
ST-20	20	87	4	1500/1800	700x430x580	139
ST-24	24	104	4	1500/1800	700x430x580	149
ST-30	30	130.4	4	1500/1800	700x430x580	199
ST-40	40	174	4	1500/1800	800x490x670	229
ST-50	50	217.4	4	1500/1800	800x490x670	250

Overall and Mounting Dimensions



Frame Size	Output		Mounting dimensions											External dimensions					
	KW	KVA	A	B	C	D	E	F	G	H	K	a	b	h1	h	L1	L2	g	
STC-2	ST-2	2	2.5	216	178	89	∅32	80	10	27	132	12	34	250	18	400	480	270	34.8
STC-3	ST-3	3	3.8	216	178	89	∅32	80	10	27	132	12	34	250	18	400	480	270	34.8
STC-5	ST-5	5	6.3	254	254	108	∅38	80	12	33	160	15	50	310	25	455	580	325	40.8
STC-7.5	ST-7.5	7.5	9.4	254	254	108	∅38	80	12	33	160	15	50	310	25	455	580	325	40.8
STC-8	ST-8	8	10	254	254	108	∅38	80	12	33	160	15	50	310	25	455	580	325	40.8
STC-10	ST-10	10	12.5	279	203	121	∅42	110	12	37	180	15	60	339	25	495	610	365	44.8
STC-12	ST-12	12	15	279	203	121	∅42	110	12	37	180	15	60	339	25	495	610	365	44.8
STC-15	ST-15	15	18.8	279	203	121	∅42	110	12	37	180	15	60	339	25	495	610	365	44.8
STC-15	ST-15	15	18.8	318	228	133	∅48	110	14	42.5	200	19	60	378	30	540	660	400	51.2
STC-20	ST-20	20	25	318	228	133	∅48	110	14	42.5	200	19	60	378	30	540	660	400	51.2
STC-24	ST-24	24	30	318	228	133	∅48	110	14	42.5	200	19	60	378	30	540	660	400	51.2
STC-30	ST-30	30	37.5	318	228	133	∅48	110	14	42.5	200	19	60	378	30	540	660	400	51.2
STC-30	ST-30	30	37.5	356	286	149	∅60	125	18	53	225	19	65	405	32	610	740	452	64
STC-40	ST-40	40	50	356	286	149	∅60	125	18	53	225	19	65	405	32	610	740	452	64
STC-50	ST-50	50	62.5	356	286	149	∅60	125	18	53	225	19	65	405	32	610	740	452	64
STC-64		64	80	356	311	149	∅60	125	18	53	225	19	65	405	32	610	810	452	64
STC-75		75	93.7	356	311	149	∅60	125	18	53	225	19	65	405	32	610	810	452	64